



KB-115A-AX

Industrial Waterproof Membrane Keyboard
104 Key with Touchpad

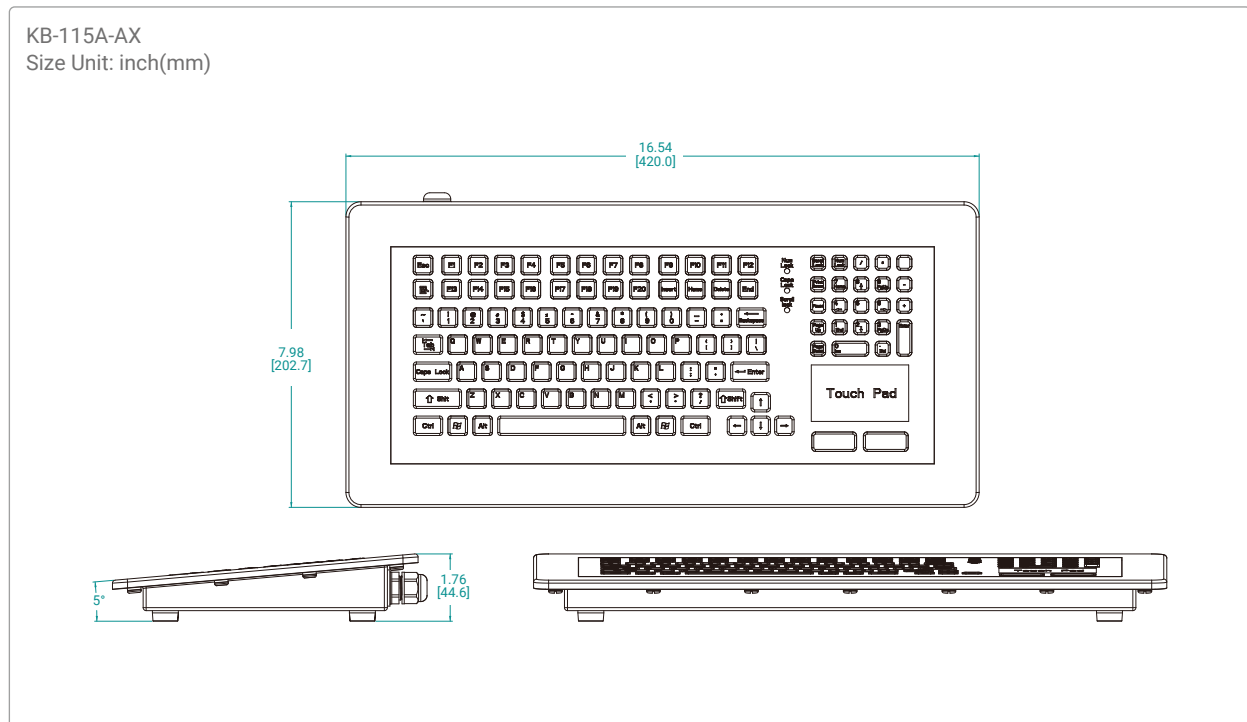
Features

- Industrial Waterproof Membrane Keyboard
- 104 Key with Touch Pad
- USB (Standard Order), PS/2 (Special Order)
- IP68
- Bench Top

Specifications

Model Name	KB-115A-AX
Key	104 Key with Touch Pad
Supply Voltage	5V DC +/- 5%
Current Rating	30mA
Interface	USB (Standard Order), PS/2 (Special Order)
Cable Length	2.5m
Operating Temp	-20~60°C (-4~140°F)
Storage Temp	-30~70°C (-22~158°F)
Operating RH	100%
Protection Level	IP68
MTBF	>50000H
Net Weight	11 Lbs / 5 Kg
Dimension (W x H x D)	16.54 x 1.76 x 7.98 inch 420.0 x 44.6 x 202.7 mm
Mounting	Bench Top

Dimension Drawing



Ordering Information

Item	KB-115A-AX-005	KB-115A-AX-005X
Connector	USB Type A	Waterproof Type A