

ARP-3624AP-E01-0Q3

Panel Mount Web Client Panel PC with 24 inch 5-Wire Resistive Touch

Features

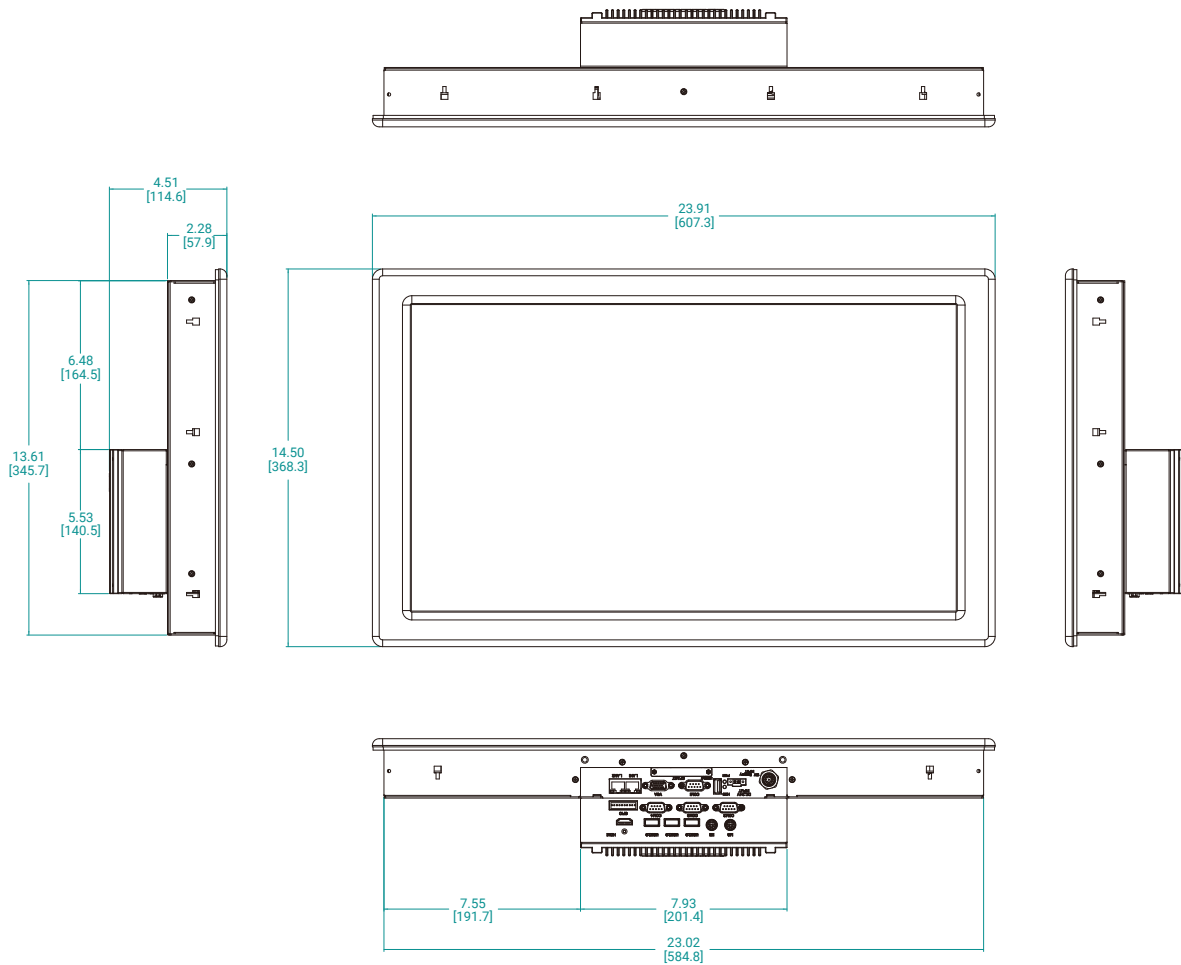
- 24" LCD, 1920 x 1080 Resolution
- 5-Wire Resistive Touch
- Aluminum or Stainless-Steel Bezel
- Intel Celeron J1900 @ 1.99GHz / Atom E3845 @ 1.91GHz CPU
- 4GB DDR3 SO-DIMM
- Dual Gigabit Ethernet
- 4 x RS-232/422/485 BIOS Selectable
- 1 x USB 3.0, 3 x USB 2.0 ports

Specifications

Model Name	ARP-3624AP-E01-0Q3
LCD Display	
Display Size	24.0 inch
Max Resolution	1920 x 1080
Backlight Lifetime	50,000 hours
Visual Characteristics	
Colors	16.7 million
Aspect Ratio	16:9
Viewing Angle (V/H)	178° / 178°
Contrast Ratio	5000 : 1
Brightness	250 nits (Typical)
Touchscreen	
Technology	5 Wire Resistive
Interface	USB
Driver	ThinManager Supported Driver
Front Bezel	
NEMA 4	Black Powder Coated Aluminum
NEMA 4x	Stainless Steel (Optional)
System	
CPU	Intel Celeron J1900 @ 1.99GHz / Atom E3845 @ 1.91GHz CPU
Chipset	Bay Trail
Memory	4GB DDR3 SO-DIMM
Video Controller	Intel Gen7 Intel Graphics DX 11, OGL3.2
External Video Output	VGA, HDMI
Storage	SSD
Compact Flash	N/A
Keyboard / Mouse	USB / PS2
Audio	N/A
Watchdog Timer	Programmable 1 - 255 sec
Expansion Slot	Mini PCIe x 2
I/O Communication	
USB Port	1 x USB 3.0, 3 x USB 2.0
Serial Port	4 x RS-232/422/485 BIOS Selectable
IEEE 1394	N/A
LAN	2 x Gigabit
Parallel	N/A
GPIO	N/A
Smart Battery	
External Smart Battery	Optional
OS Support	
Web OS	Q8 Edge
Power/Thermal Specs	
Power Requirement (Max)	24VDC / 2.5A
Power Consumption (Max)	60 W
Recommended Power Supply	85 W
Heat Dissipation	203 BTU/hr
Physical Information	
Mounting	Panel Mount
Net Weight	23 Lbs / 10.43 Kg
Dimension (W x H x D)	23.91 x 14.50 x 4.51 inch 607.3 x 368.3 x 114.6 mm
Recommended Cutout Dimension (WxH)	23.22 x 13.81 inch 589.8 x 350.7 mm
IP/NEMA Rating	Bezel meets NEMA 4/4X requirement
Certification	UL 61010
Environmental	
Operating Temperature	0~50°C (32~122°F)
Storage Temperature	-20~60°C (-4~140°F)
Relative Humidity	0~95%

Dimension Drawing

ARP-3624AP-E01-0Q3
Size Unit: inch(mm)



Ordering Information

Item	ARP-3624AP-E01-0Q3	ARP-3624AP-E01-0Q7
LCD Display	24.0" LCD / 1920 x 1080	24.0" LCD / 1920 x 1080
Touch Screen	5-Wire	5-Wire
Bezel	Black Powder Coated Aluminum	Stainless Steel
CPU	Intel Celeron J1900 @ 1.99GHz / Atom E3845 @ 1.91GHz CPU	Intel Celeron J1900 @ 1.99GHz / Atom E3845 @ 1.91GHz CPU
Memory	4GB DDR3 SO-DIMM	4GB DDR3 SO-DIMM
Storage	SSD	SSD
Web OS	Q8 Edge	Q8 Edge
Power Supply	110/220VAC Input DIN-Rail	110/220VAC Input DIN-Rail