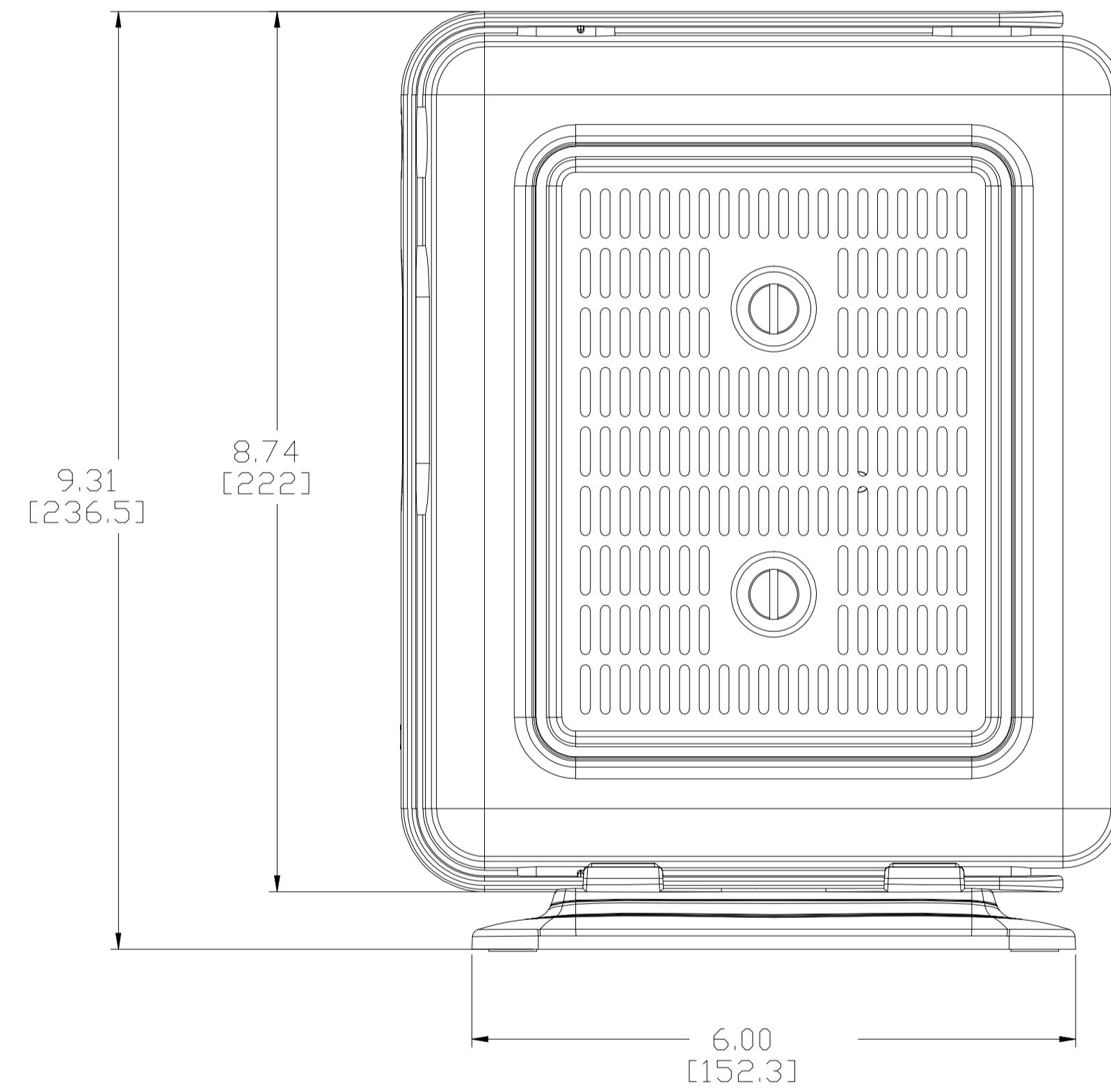
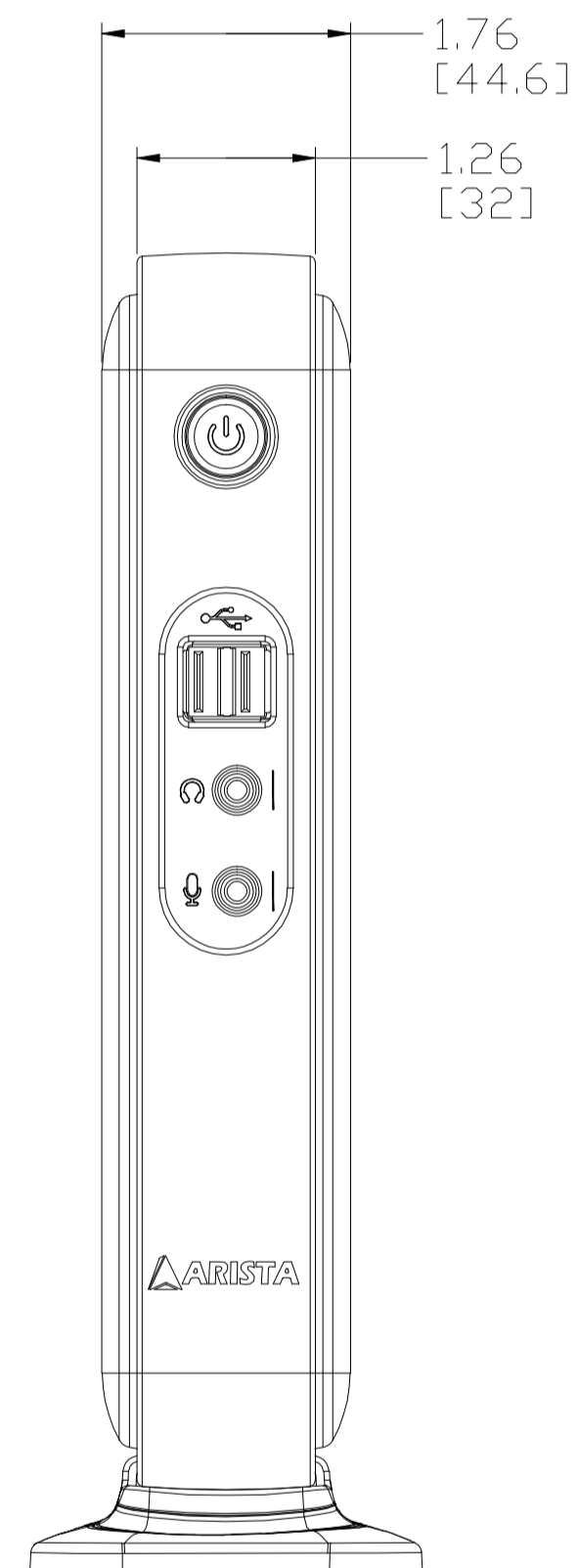
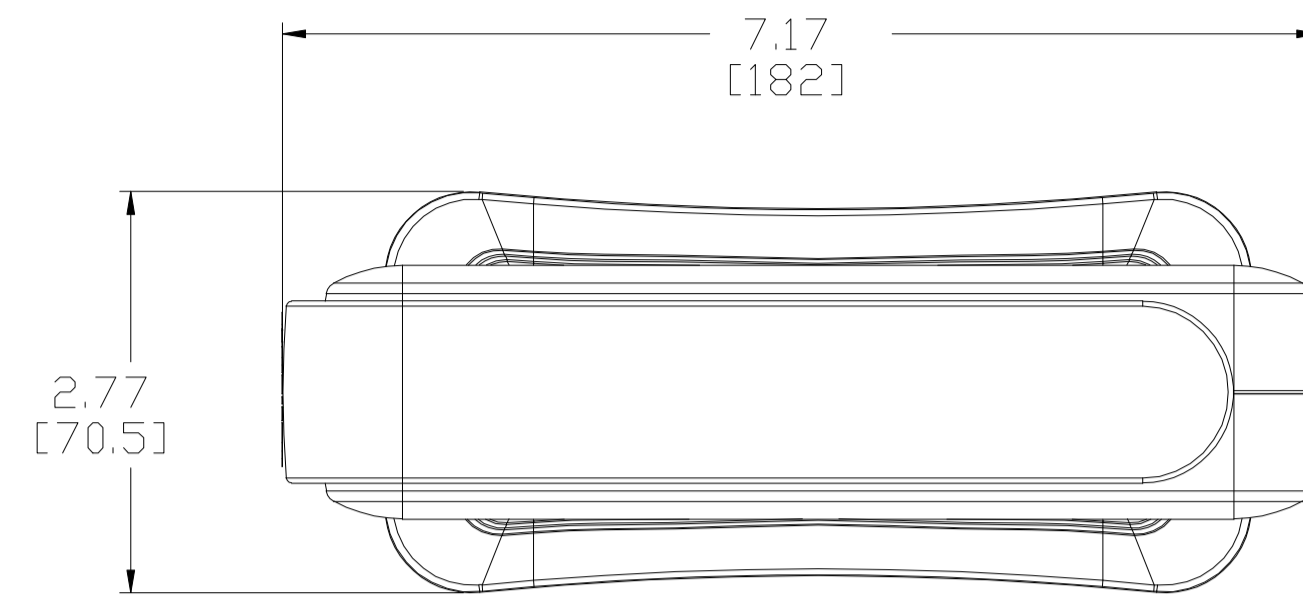
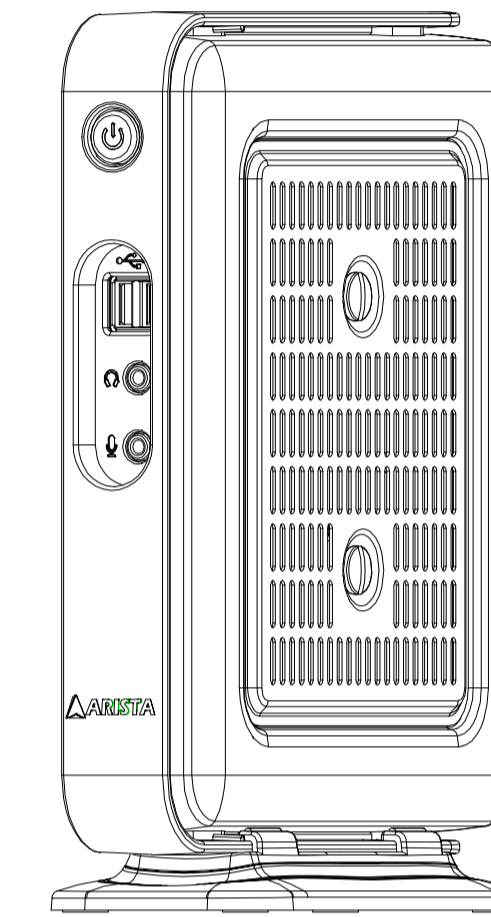
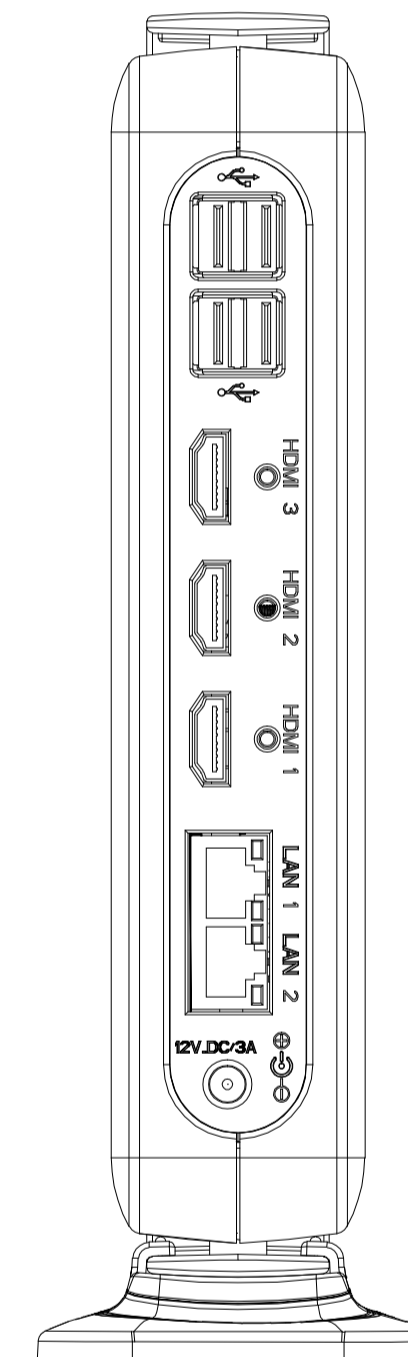
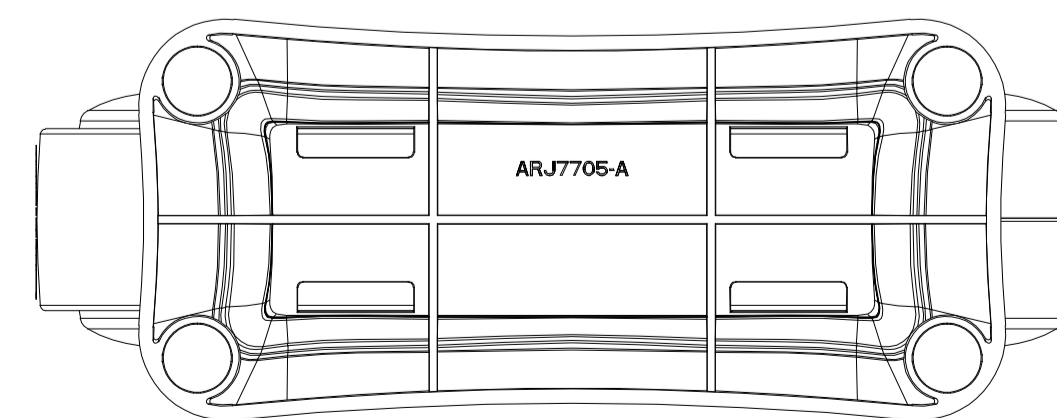


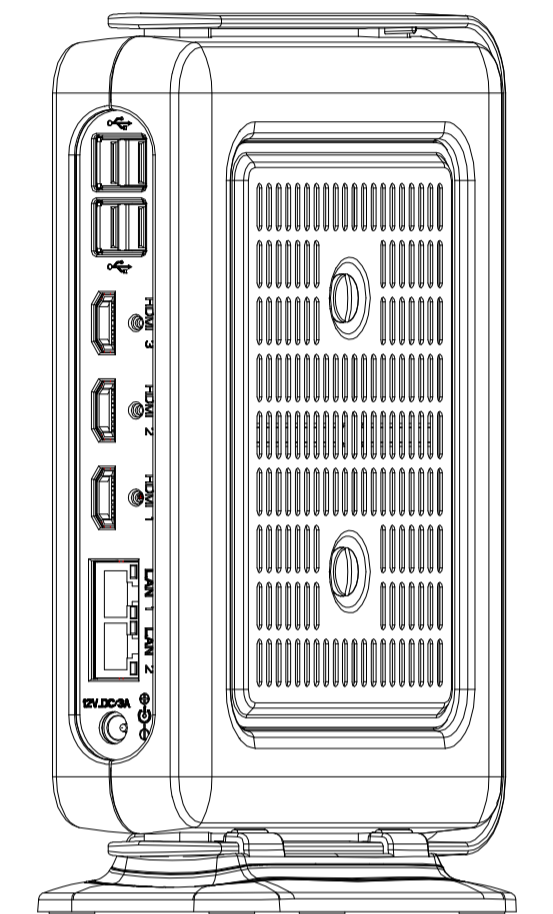
PARTS LIST			
ITEM	QTY	DESCRIPTION	P/N



比例 0.750



比例 0.500



比例 0.500

ALL DIMENSIONS IN MILLIMETERS AND INCHES  
 THIRD ANGLE PROJECTION

ZONE	REV	DESCRIPTION	DATE	APPROVED
REVISIONS				
ARISTA CORPORATION 41300 Boyce Rd, Fremont, CA 94538				
TITLE AP-3500AP-H01				
TOLERANCES		A	B	C
0-30mm	±0.1	±0.25	±0.6	
30-120mm	±0.15	±0.46	±1.1	
120-315mm	±0.2	±0.6	±1.6	
>315mm	±0.3	±1.1	±2.5	
DRN	Pellon		DATE	3/3/17
CHECKED			SIZE	D
DESIGN	ECN	©	SCALE	1
	CN		INV. NO.	
			SHEET	OF