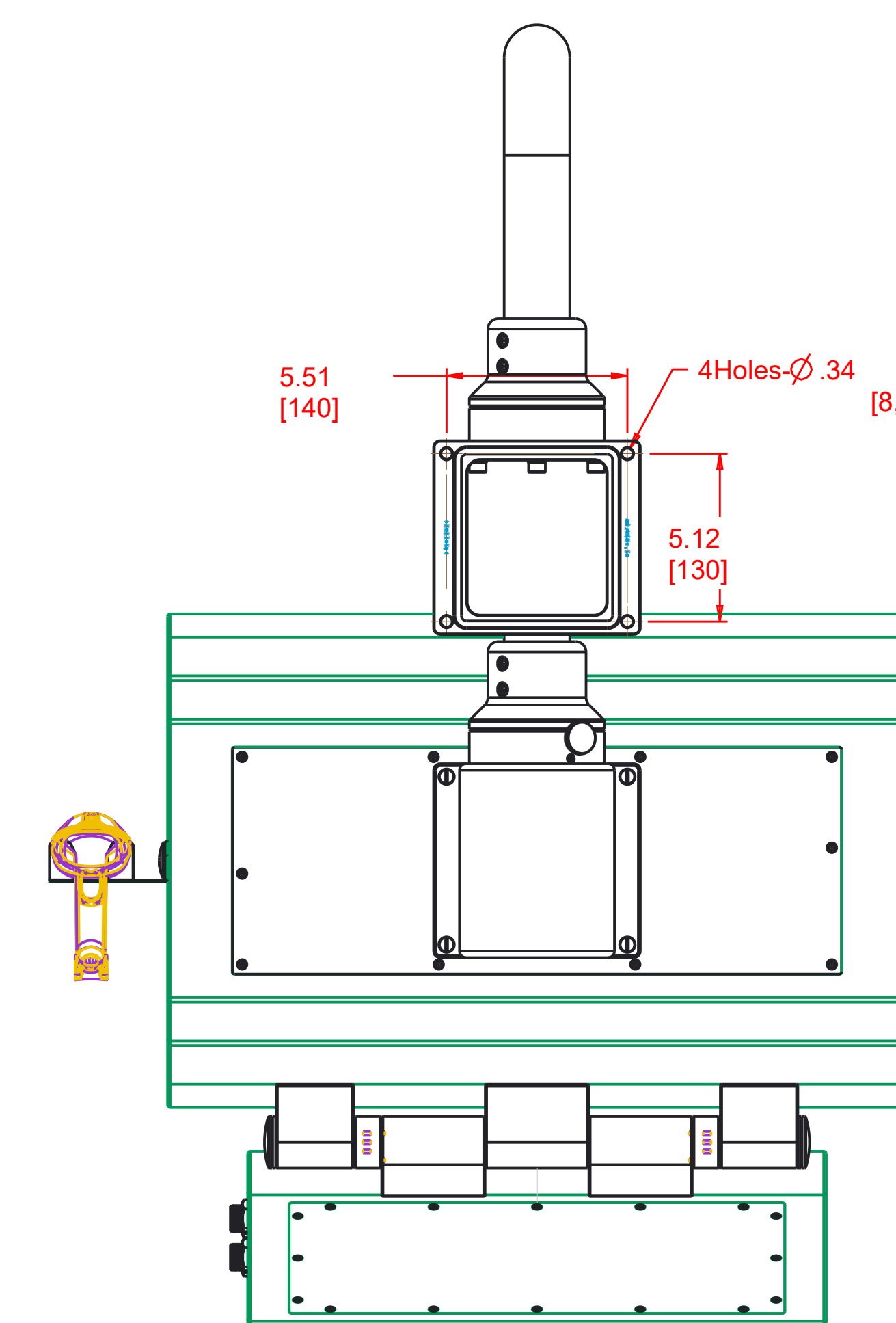
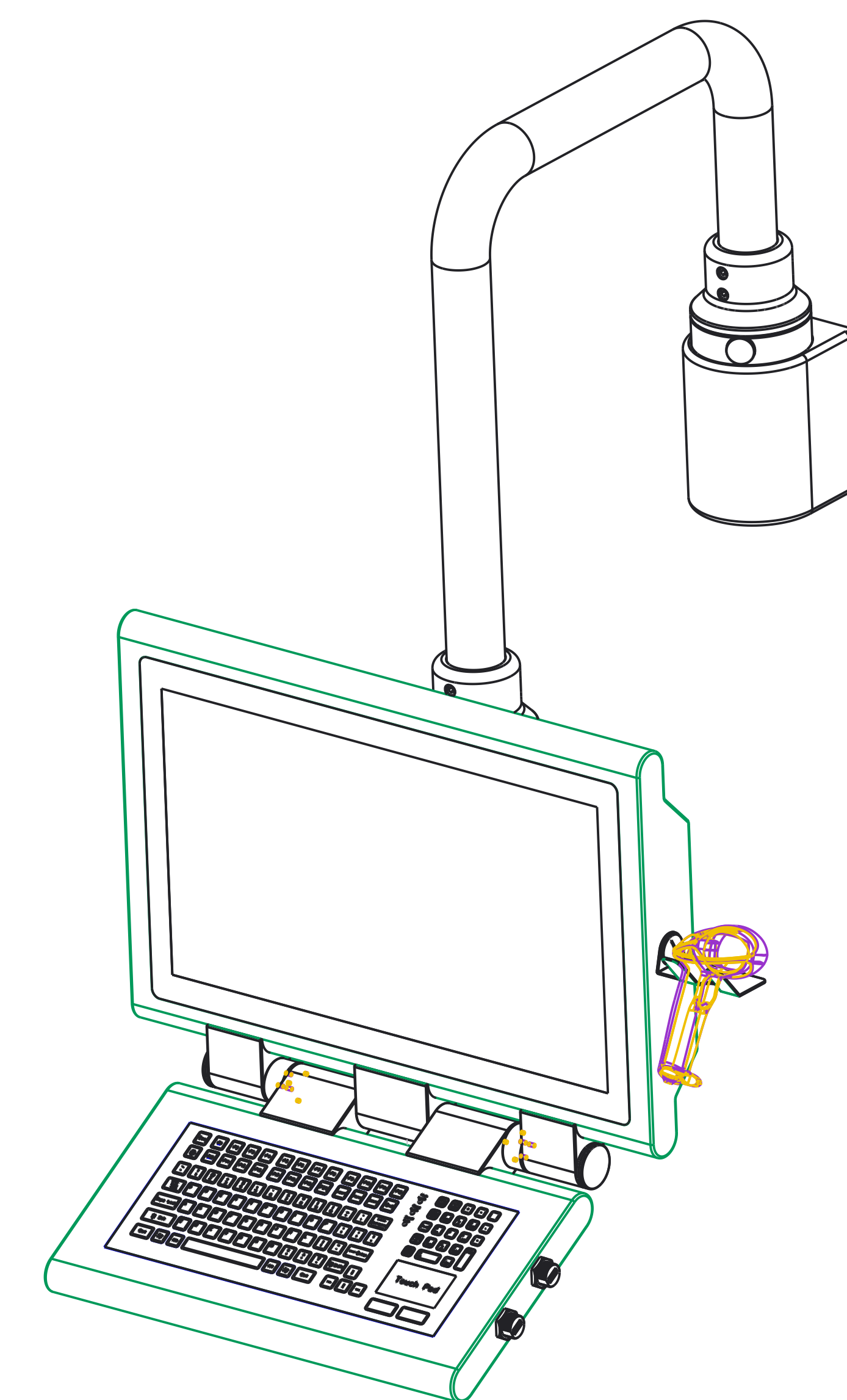
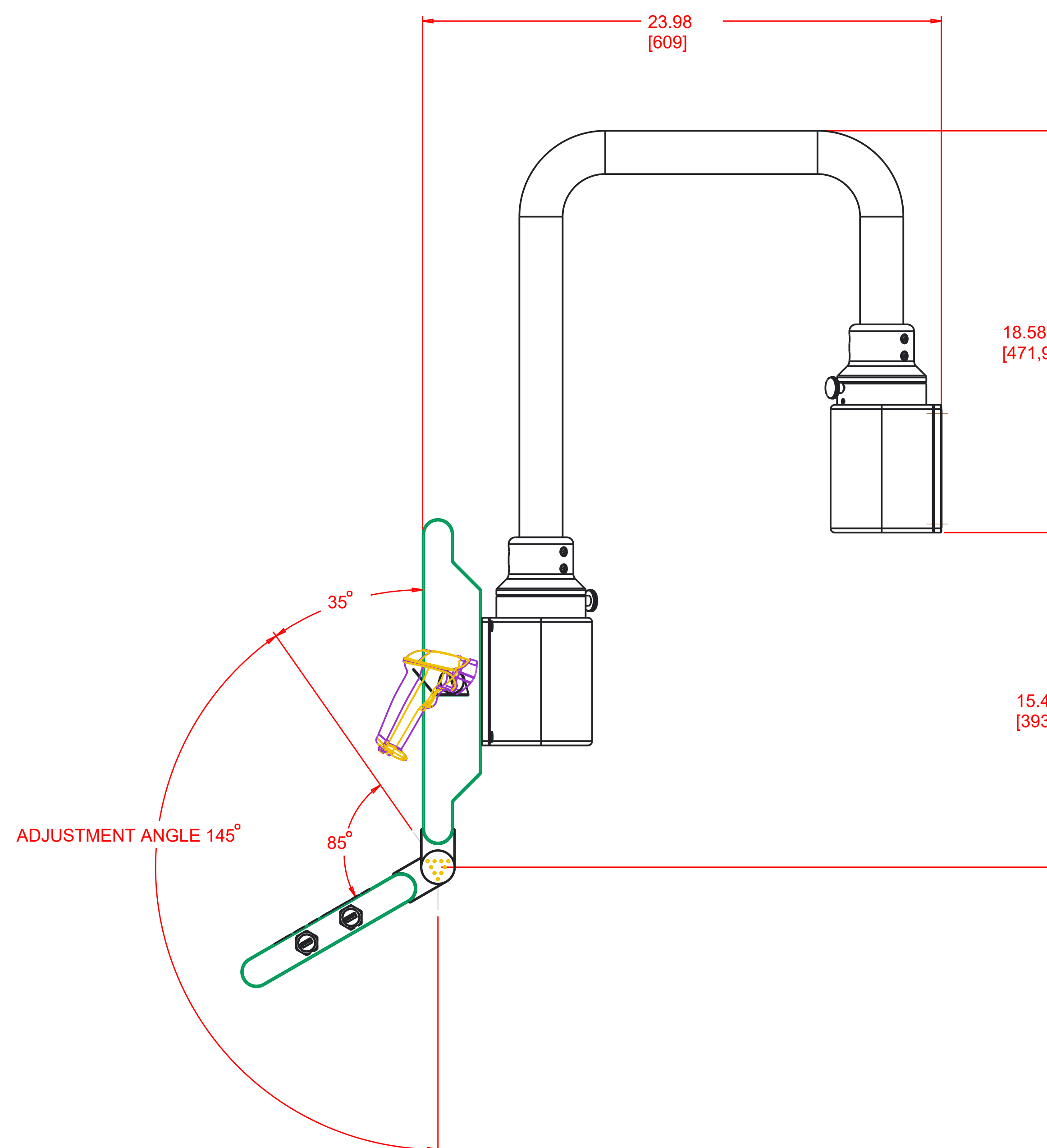
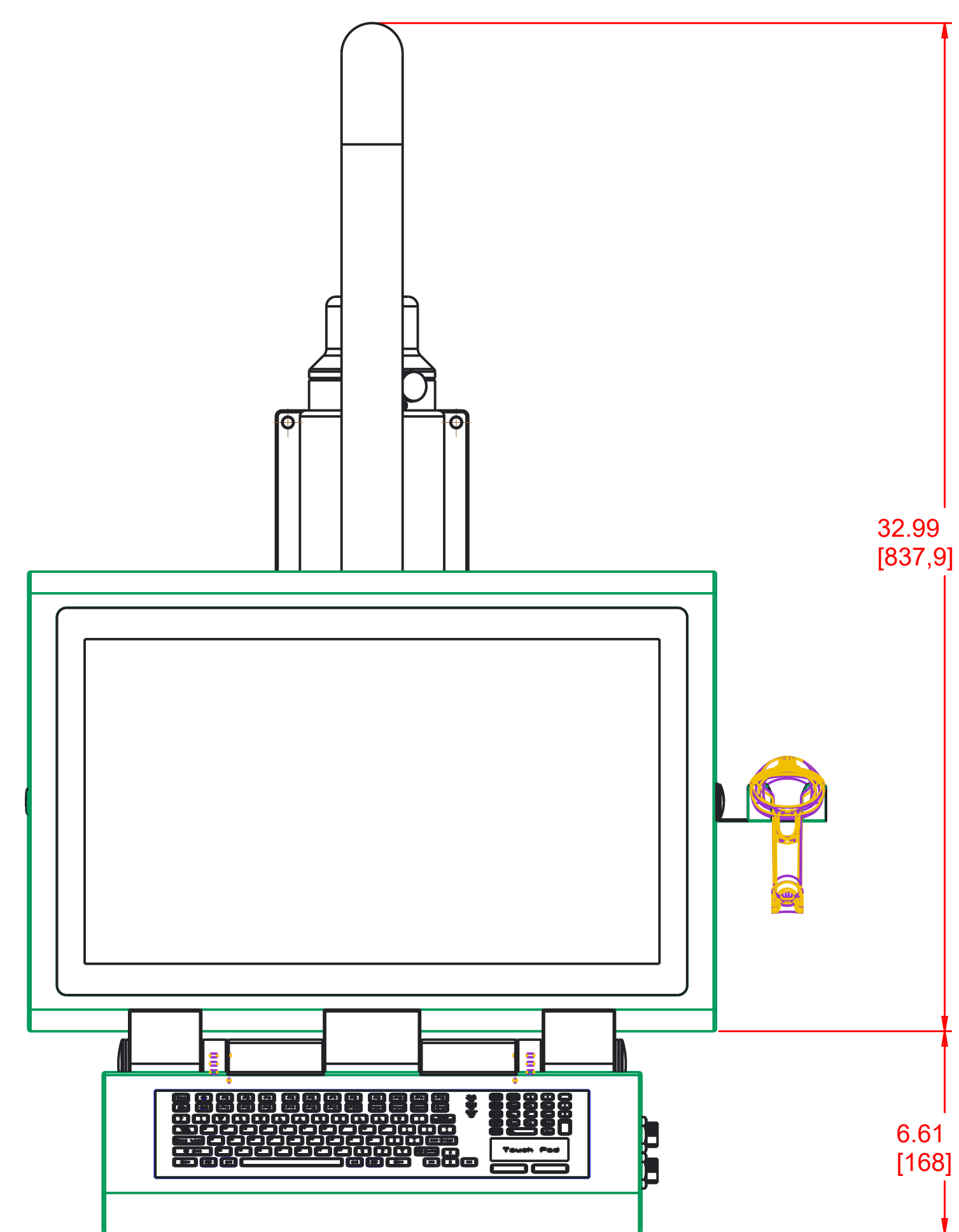
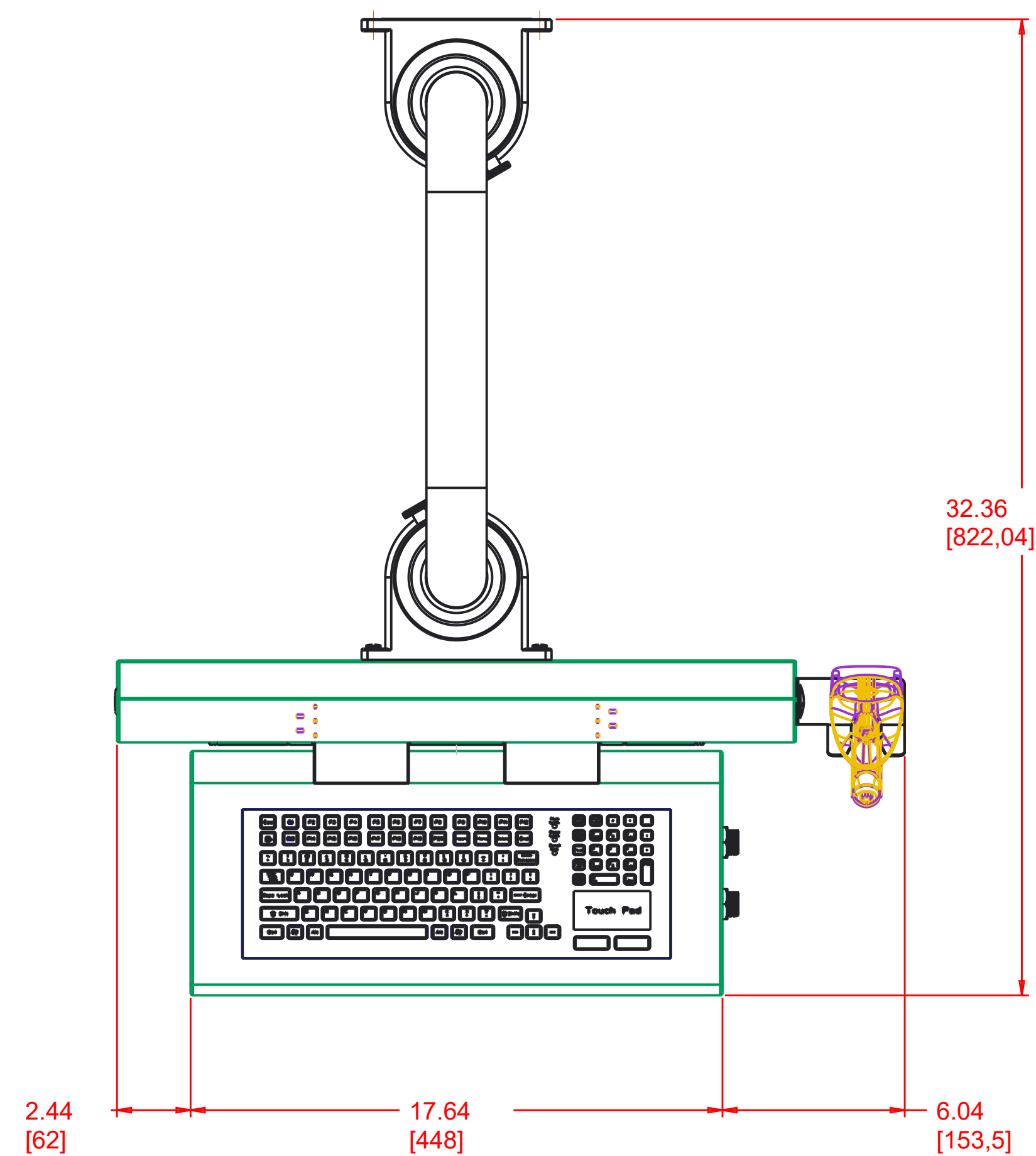


PARTS LIST			
ITEM	QTY	DESCRIPTION	P/N



UNITS: inch/mm

ZONE	REV	DESCRIPTION	DATE	APPROVED
REVISIONS				

The information disclosed on this document is the exclusive property of ARISTA CORPORATION. Reproduction, disclosure, or the use of this document or information without the written permission of ARISTA CORPORATION is prohibited.

TOLERANCES	A	B	C
0-30mm	±0.1	±0.25	±0.6
31-120mm	±0.15	±0.45	±1.1
121-250mm	±0.3	±1.1	±2.8
>250mm	±0.5	±1.8	±4.8
DRN	YoyoSu	DATE	3/10/20'
CHECKED		FRSM NO.	DWG NO.
DESIGN		SCALE: 0.250	REV. NO.

ARISTA CORPORATION
41300 Bayview Rd, Fremont, CA 94538

TITLE
AMA-1521AX ASSEMBLY DIMENSION

SHEET OF