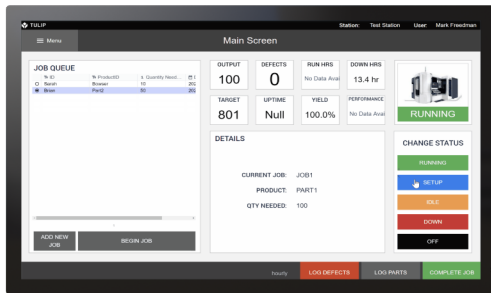




## ADM-2155BP

55-inch VESA Mount Projected Capacitive Touch Display



### Features

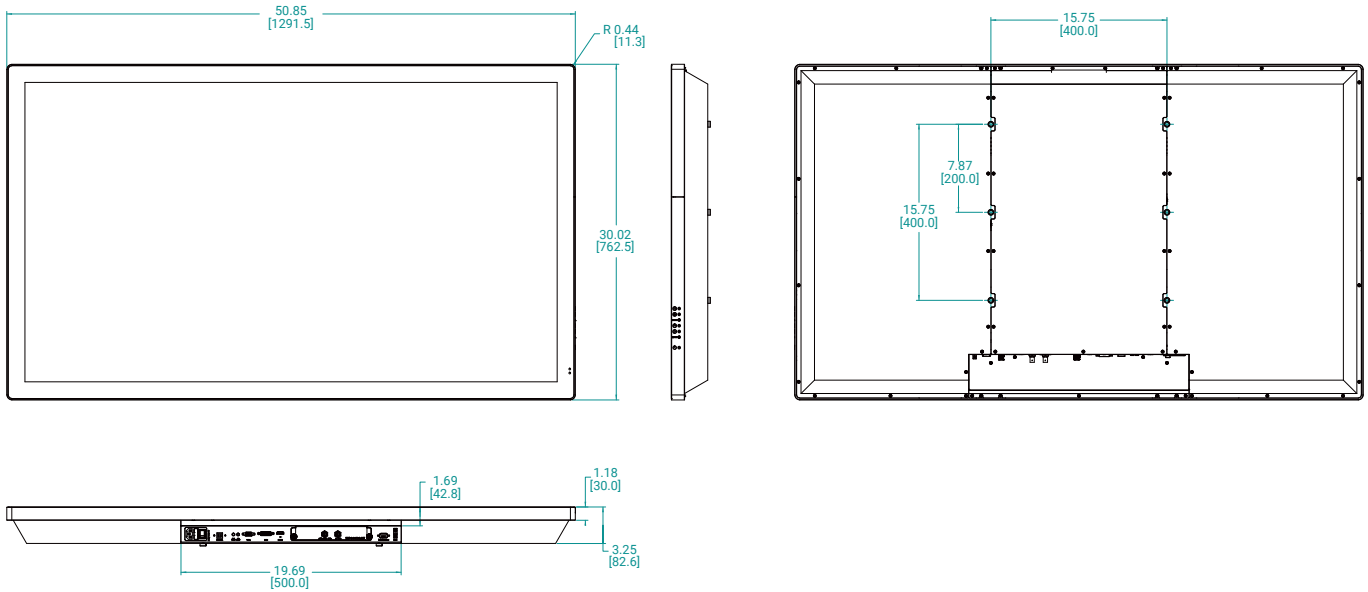
- 55" LCD, 1920 x 1080 Resolution
- Flush Bezel Design
- Projected Capacitive Touch
- USB Touch Interface
- VGA / DVI / HDMI Input
- Available HDMI 100 meters extender option
- Enclosure meets NEMA IP50 requirements
- VESA Mount, Optional Wall Mount Bracket
- 110~220VAC Input

### Specifications

Model Name	ADM-2155BP
<b>LCD Display</b>	
Display Size (Diagonal)	55"
Max Resolution	1920 x 1080
Backlight Lifetime (Hours)	50,000 hours
<b>Visual Characteristics</b>	
Colors	1073.7 million
Aspect Ratio	16:9
Viewing Angle (V/H)	178° / 178°
Contrast Ratio	4000:1
Brightness	500 nits
<b>Input Interface</b>	
VGA	Yes *Not available with Extender
DVI	Yes *Not available with Extender
HDMI	Yes
Display Port	N/A
CVBS	N/A
YPbPr	N/A
<b>Touchscreen</b>	
Technology	Projected Capacitive
Interface	USB
Driver	Win 7, Win10
<b>Enclosure</b>	
Type	Metallic Housing
Color	Black
<b>Power/Thermal Specs</b>	
Power Requirement (Max)	110VAC / 2.41A, 220VAC / 1.20A
Power Consumption (Max)	265 W
Recommended Power Supply	N/A
Heat Dissipation	903 BTU/hr
<b>Physical Information</b>	
Mounting	VESA Mount
Net Weight	97 Lbs / 44.0 Kg
Dimension (W x H x D)	50.85 x 30.02 x 3.25 inch 1291.5 x 762.5 x 82.6 mm
Recommended Cutout Dimension (WxH)	N/A
<b>Environmental</b>	
Operating Temperature	0°C to 50°C (32°F to 122°F)
Storage Temperature	-20°C to 60°C (-4°F to 140°F)
Humidity	5% to 95% non-condensing
Rating	Meets IP50
Certification	N/A

## Dimension Drawing

Model Name: ADM-2155BP  
 Size Unit: inch(mm)



## Ordering Information

Item	ADM-2155BP-001	ADM-2155BP-Z01
LCD Display	55" LCD / 1920 x 1080	55" LCD / 1920 x 1080
Touch Screen	Projected Capacitive	N/A
Enclosure	Black	Black
Power Supply	110/220VAC Input	110/220VAC Input
Extender Video Input	N/A	N/A

Item	ADM-2155BP-00A	ADM-2155BP-Z0A
LCD Display	55" LCD / 1920 x 1080	55" LCD / 1920 x 1080
Touch Screen	Projected Capacitive	N/A
Enclosure	Black	Black
Power Supply	110/220VAC Input	110/220VAC Input
Extender Video Input	HDMI via ARD-1007-A00-TX	HDMI via ARD-1007-A00-TX