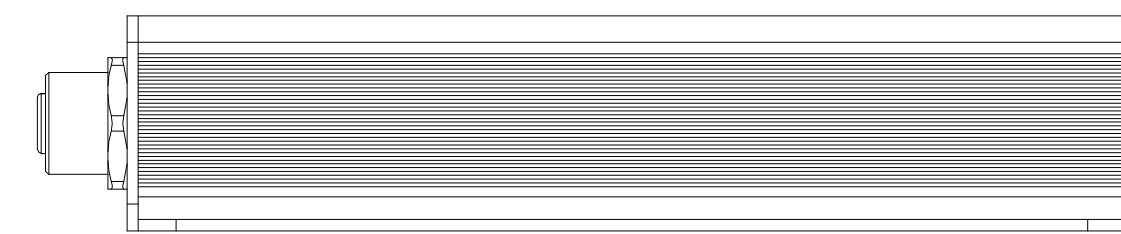
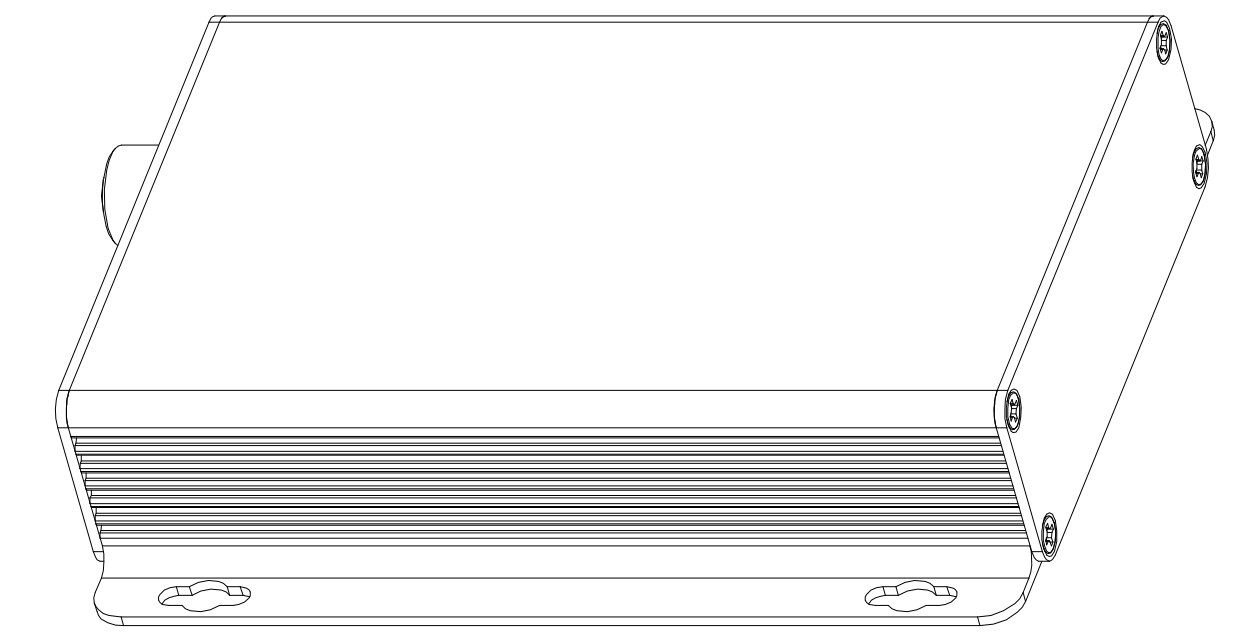
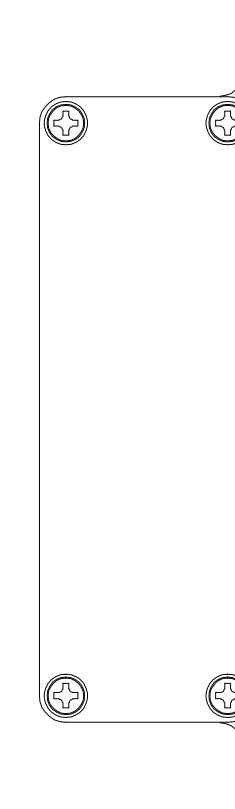
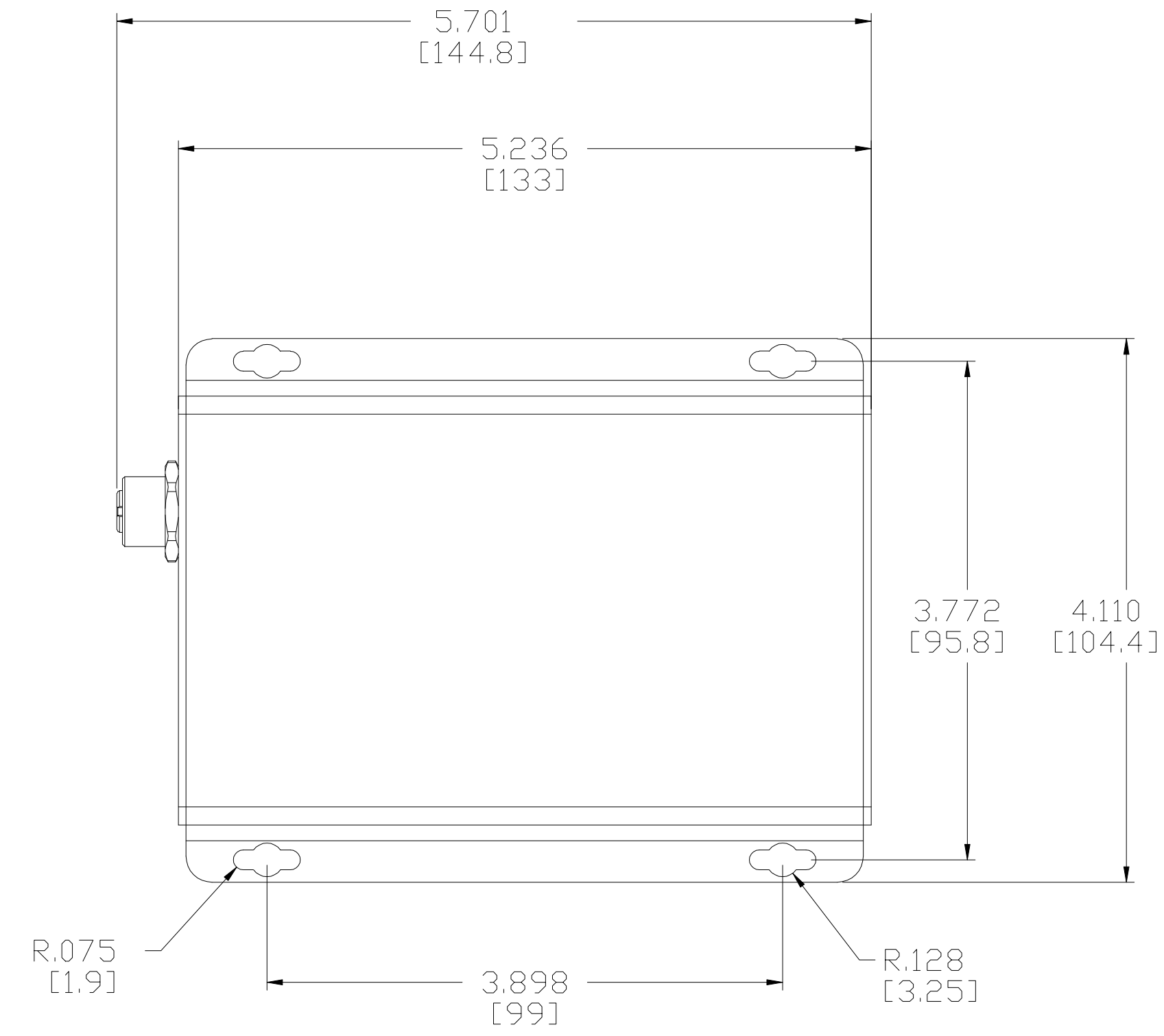
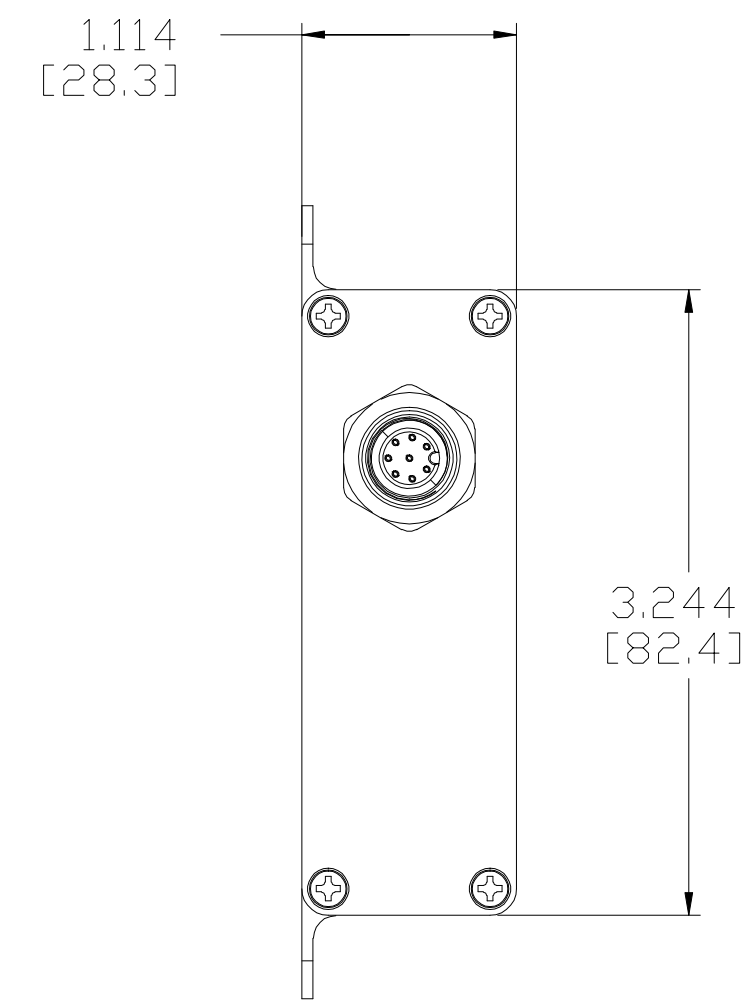


PARTS LIST			
ITEM	QTY	DESCRIPTION	P/N



ALL DIMENSIONS IN MILLIMETRES  
 THIRD ANGLE PROJECTION

ZONE	REV	DESCRIPTION	DATE	APPROVED
REVISIONS				

The information disclosed on this document is the exclusive property of ARISTA CORPORATION. Reproduction, disclosure, or the use of this document or information without the written permission of ARISTA CORPORATION is prohibited.	TOLERANCES	A	B	C	ARISTA CORPORATION 40675 Encyclopedia Circle, Fremont, CA 94538  TITLE <b>0_BATTERY-02-ARQ05300</b>
	0-30mm	±0.1	±0.25	±0.6	
	30-120mm	±0.15	±0.46	±1.1	
	120-315mm	±0.2	±0.6	±1.6	
	>315mm	±0.3	±1.1	±2.5	
	DRN		DATE		
	CHECKED				SIZE D
ECN			CN	DESIGN	FSCM NO.
					DWG NO.
					REV
					SCALE
					INV. NO.
					SHEET OF